

## RIM1C Recorder Interface Module



### DESCRIPTION

The Recorder Interface Module C (RIM1C) simultaneously records up to 384 audio channels (half-duplex) to an external Network Attached Storage (NAS) device. The RIM1C can also record protocol-specific non-audio data, with capacities differing by protocol. The RIM1C may be placed in any slot in which a WPM3 may be placed in a DRT1183C or DRT12xxC system.

### Features

- Ethernet Interface provides a 10/100/1000 auto-negotiated interface to the RIM1 via a standard RJ-45 connection. The Ethernet Interface provides access to the external NAS device.
- Storage to the external NAS device uses NFS version 3.
- Onboard temperature measurement and built-in test capability.
- Records up to 384 audio channels simultaneously.

## Specifications

### Capacity

- 384 half-duplex audio channels (192 full-duplex) simultaneously stored to Network Attached Storage device.
- Approximately 35 channel hours of storage per Gigabyte of disk space.
- 4 MB per second output to Network Attached Storage.

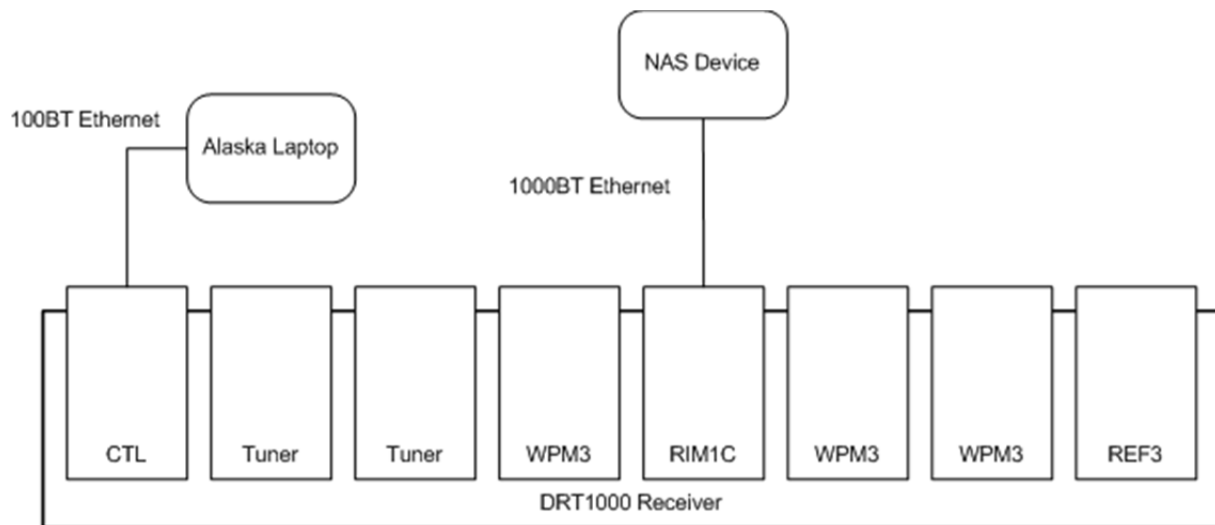
### Interfaces

- PMC 32-Bit, 33 MHz PCI Bus (to backplane)
- DRT TDM ScBus Interface (to backplane)
- 10/100/1000 Ethernet Interface on the front panel

### Physical/Environmental

- **Operating Temperature Range:** 0° to +50°C (+32° to +122°F) inlet air temperature of any DRT system in which the module is installed
- **Size:** Single-slot 3U CompactPCI 3.9 in. x 6.2 in. (100 mm x 160 mm)
- **Power Consumption:** ~10 watts (typical)

### Typical Installation in DRT1000 System



Approved by DoD/OSR for public release under 14-S-2224 on 4 August 2014. Data, including specifications, contained within this document are summary in nature and subject to change without notice.

12409 Milestone Center Drive, Germantown, MD 20876-7114  
Phone: 855-401-4185 ~ Fax: 301-916-5787 ~ [www.drfti.com](http://www.drfti.com) ~ [international@drfti.com](mailto:international@drfti.com)

Rev. 1.5-INT, January 2014  
© Digital Receiver Technology, Inc., 2014